



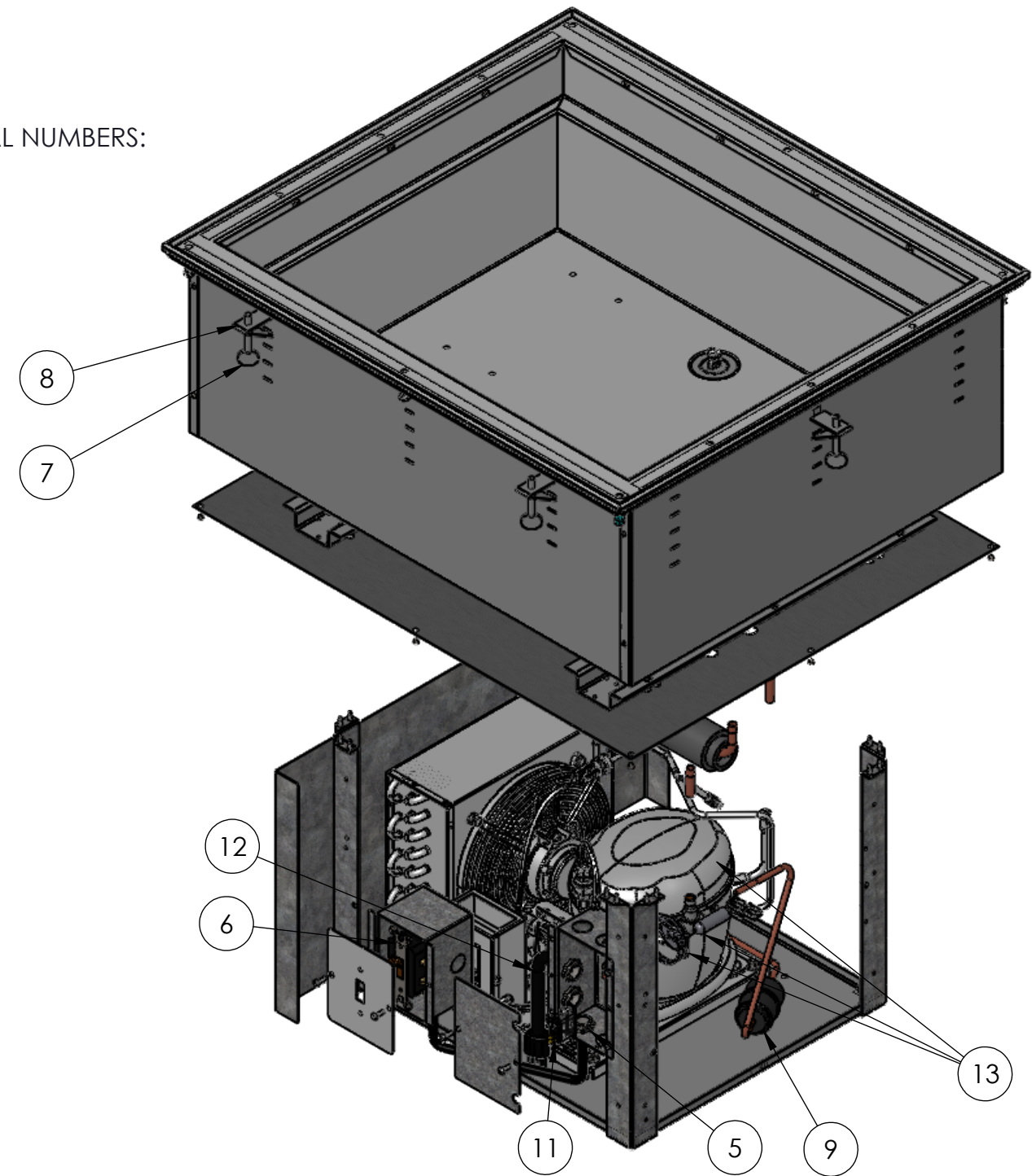
**STANDARD AND NSF7 COLD DROP-IN SPARE PARTS**

**NOTICE!**  
 PERTAINS TO MACHINES WHICH EMPLOY EMBRACO CONDENSING UNITS WITH THE FOLLOWING SERIAL NUMBERS:

- \* 1 PAN: SERIAL NUMBERS INCLUDING AND AFTER M238-01548008
- \* 2 AND 3 PAN: SERIAL NUMBERS INCLUDING AND AFTER M165-01537384
- \* 4, 5, AND 6 PAN: SERIAL NUMBERS INCLUDING AND AFTER M196-01537379

STANDARD AND NSF7 DROP-IN ITEM NUMBERS
FC-4C-01120-R
FC-4C-02120-R
FC-4C-03120-R
FC-4C-04120-R
FC-4C-05120-R
FC-4C-06120-R
FC-4C-01120-N
FC-4C-02120-N
FC-4C-03120-N
FC-4C-04120-N
FC-4C-05120-N
FC-4C-06120-N

BALLOON NUMBER	ITEM NUMBER	DESCRIPTION
5	26543-3	STRAIN RELIEF - FOR 3/8 CORD
N/A	4350810-1	CONNECTOR, 2 WIRE WAGO 221-412
N/A	4350811-1	CONNECTOR, 3 WIRE WAGO 221-413
6	24787-1	SWITCH-120/277V 15A SINGLE POL
7	23035-3	THUMBSCREW 1/4-20 X 2"
8	44179-1	DROP-IN MOUNTING CLIP
9	351333-1	FILTER DRIER DCL 032
10	SEE TABLE	CONDENSING UNIT EMBRACO
12	17085-1	16 GA. POWER CORD 120V
13	SEE TABLE	THERMAL EXPANSION VALVE KIT
14	SEE TABLE	MOTOR-FAN EMBRACO
15	351898-1	CONTROLLER- ELECT UNIT
N/A	353828-1	PRES. TRANSDUCER EMBRACO



BALLOON NUMBER	ITEM NUMBER	DESCRIPTION	FC-4C-01120-R	FC-4C-02120-R	FC-4C-03120-R	FC-4C-04120-R	FC-4C-05120-R	FC-4C-06120-R
			FC-4C-01120-N	FC-4C-02120-N	FC-4C-03120-N	FC-4C-04120-N	FC-4C-05120-N	FC-4C-06120-N
10	353108-1	R513A COND UNIT 1/5 HP EMBRACO	X	X	X			
10	353109-1	R513A COND UNIT 1/3 HP EMBRACO				X	X	X
N/A	353831-1	KIT, ELEC PARTS FFU80 EMBRACO	X	X	X			
N/A	353832-1	KIT, ELEC PARTS NEU2140 EMBRACO				X	X	X
13	353834-2	KIT, TXV ORIF 1 BP FOR EMBRACO	X	X	X			
13	351930-2	KIT, TXV ORIF 4 EMBRACO				X	X	X
14	353829-1	FAN MOTOR 9W EMBRACO	X	X	X			
14	353830-1	FAN MOTOR 16W EMBRACO				X	X	X