

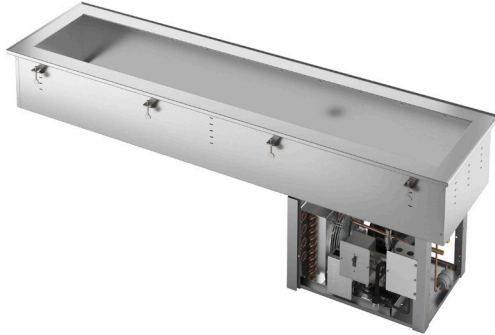


Project:

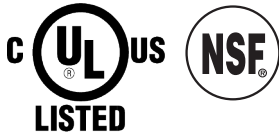
Item Number:

Quantity:

STANDARD REFRIGERATED SHORT-SIDE COLD-PAN DROP-INS



AGENCY LISTINGS



WARRANTY

All models shown come with Vollrath's standard warranty against defects in materials and workmanship with an additional four years on the compressor. For full warranty details, please refer to vollrathfoodservice.com.

CLEARANCE AND ENVIRONMENT

- Zero clearance is needed on all sides and 3" (7.6 cm) clearance from the condenser air inlet and outlet.
- This unit is made for indoor use only.
- At least 80 square inches for both fresh-air intake and exhaust are required. . See back page for details.
- For best performance, prevent drafts and room air currents from passing over the display surface.

Approvals	Date

Due to continued product improvement, please consult vollrathfoodservice.com for current product specifications.

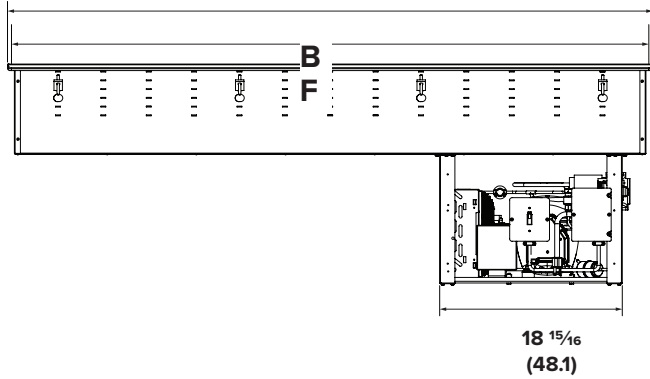
ITEMS

Item	Description	False-Bottom (Perforated) *reduces well depth by 1" (2.5 cm)
FC-4CS-02120-R	2-Pan	70100 (2)
FC-4CS-03120-R	3-Pan	70100 (3)
FC-4CS-04120-R	4-Pan	70100 (4)

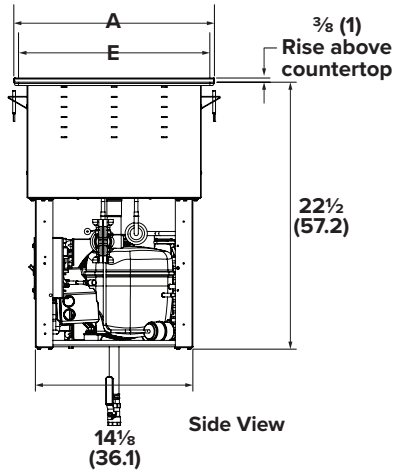
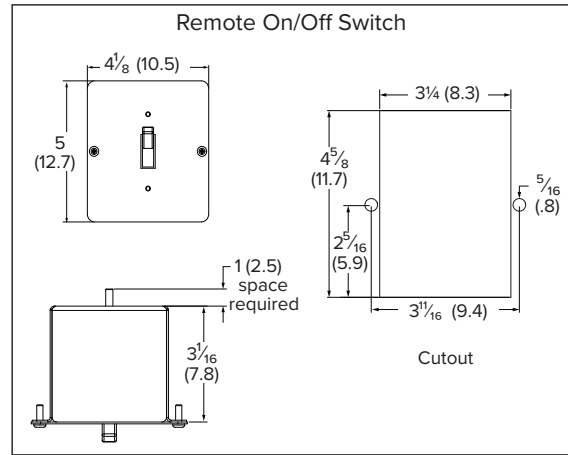
FEATURES & BENEFITS

- Flange, fabricated well, and optional false bottoms are 300-series stainless steel.
- R513A refrigerant is non-flammable and has low-global-warming-potential (GWP).
- Drop-In is designed for top-mount installation.
- Unit includes under-drip-edge gasket.
- Standard mounting clips are included for easy installation on counters up to 3" (7.6 cm) thick.
- Work surface is flat around opening.
- A full-perimeter drip edge contains spills and condensation within the stainless steel countertop area.
- Deep well accommodates standard 12" x 20" x 6" max depth (30.5 x 50.8 x 15.2 cm) pans when used with adapter bars.
- 1" (2.5 cm) integral drain is standard.
- Refrigeration coils surround exterior side walls of well for maximum cooling.
- Inner well assembly is insulated with foamed-in-place polyurethane for efficiency and performance.
- Condensing unit is suspended below well.
- Exterior housing is 20-gauge galvanized steel.
- Remote on/off switch with 4 ft. (1.2 m) cord, can be mounted to any cabinet side.
- 6 ft (1.5 m) cord with plug is included.
- Drip-free flange can be replaced with flat flange by adding "FF" to item number.

STANDARD REFRIGERATED SHORT-SIDE COLD-PAN DROP-INS



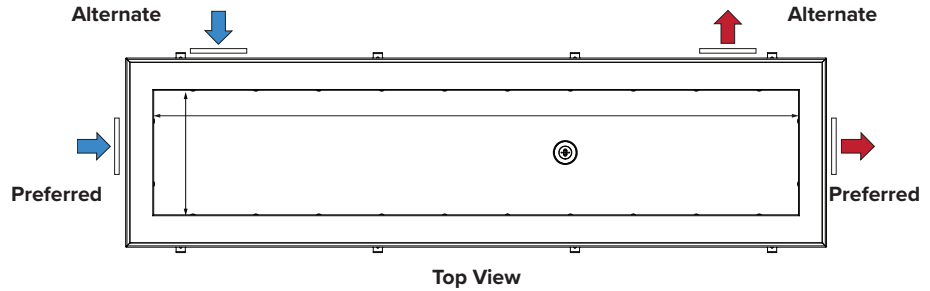
Front View



Side View

VENTING REQUIREMENTS

One customer-supplied intake and one discharge louver (two total) must be installed in the cabinet to ensure adequate ventilation; preferred locations are short ends.



SPECIFICATIONS

Item	Pans	Dimensions						Louvers	Weight LB (Kg)	Comp. (HP)	Peak Heat of Rej. (BTUH)	Refrig. Chg. oz	V	Hz	Amps	Plug & Receptacle						
		Overall		Inner		Cutout																
		A	B	C	D	E	F															
FC-4CS-02120-R	2		45 7/16 (115.4)		40 3/4 (103.5)		44 11/16 (113.5)	8x10 (20.3x 25.4)	106 (48)	1/5	2800	6	120	60	3.6	NEMA 5-15P & 5-15R Straight Blade						
FC-4CS-03120-R	3	18 (45.7)	66 7/8 (170)	11 7/8 (30.2)	61 1/2 (156.2)	17 5/16 (44)	66 1/8 (168)										126 (57)	1/3	4800	7	7.1	
FC-4CS-04120-R	4		88 5/16 (224.2)		82 1/4 (208.9)		87 9/16 (222.4)															

NOTICE: Vollrath® Drop-Ins are made to order and cannot be returned. It is the responsibility of the installer to ensure cut-outs on new installations are correct, or retrofit installation dimensions match with Vollrath product dimensions. Vollrath will not guarantee that our models retrofit with specific competitive models (as competitive specifications can change without notice). We recommend countertop cut-outs be made after receipt of the Vollrath drop-in to ensure proper fit prior to cutting into countertop materials.

NOTICE: Do NOT modify the cord or plug. Modification may damage the drop-in or cause injury, and will void the warranty.



The Vollrath Company, L.L.C.
 1236 North 18th Street
 Sheboygan, WI 53081-3201 U.S.A.
 Main Tel: 800.624.2051 or 920.457.4851
 Main Fax: 800.752.5620 or 920.459.6573
 Customer Service: 800.628.0830
 Canada Customer Service: 800.695.8560

Technical Services
 techservices@vollrathco.com
 Induction: 800.825.6036
 Countertop Warming: 800.354.1970
 Other Products: 800.628.0832